



Get Down to Details

Use this worksheet as you browse to take notes on your favorite window treatment styles and fabrics!

Window Treatment Styles

The first step to beautiful window treatments is choosing a style that works for you. Check off the styles that you like best:

Draperies

- Cinch Pleat
- Grommet Top
- Pinch Pleat
- Rod Pocket Panel

Roman Shades

- Flat Fold Roman Shade
- London Shade
- Hobbled Roman Shade
- Relaxed Roman Shades

Valances

- Arch Valance
- Gathered Balloon
- Inverted Box Pleat Baloon
- London Valance
- Board Mounted Gathered
- Hobbled Roamn
- Inverted Pleat Valance
- Rod Pocket Valance

Measurements

- | | |
|-----------------------------------|----------------------------|
| 1 Sill Length: _____ | 4 Floor Length: _____ |
| 2 Trim to Moulding/Ceiling: _____ | 5 Outer Frame Width: _____ |
| 3 Apron Length: _____ | 6 Inner Frame Width: _____ |

Fabric Swatches

What kind of fabric would you love to see on your windows?

Patterned

- Stripes
- Plaids
- Florals
- Juvenile

Silks

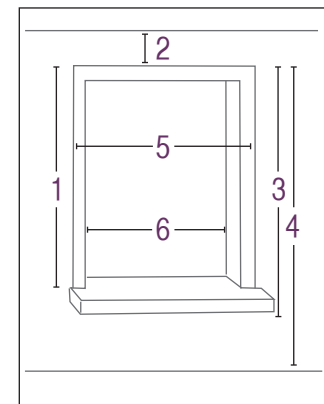
- Patterned Silks
- Solid Silk Fabric

Swatches I Like:

Room Type

Which room are you considering the treatments for?

- | | |
|--------------------------------------|---|
| <input type="checkbox"/> Kitchen | <input type="checkbox"/> Living Room |
| <input type="checkbox"/> Bathroom | <input type="checkbox"/> Bedroom |
| <input type="checkbox"/> Dining Room | <input type="checkbox"/> Children's Bedroom |
| <input type="checkbox"/> Family Room | <input type="checkbox"/> Other |



Notes

When you have finished filling out this form, plug in your notes at www.pegasusinteriors.com/get-down-to-details. This will help to develop an estimate for your project. We look forward to working with you!